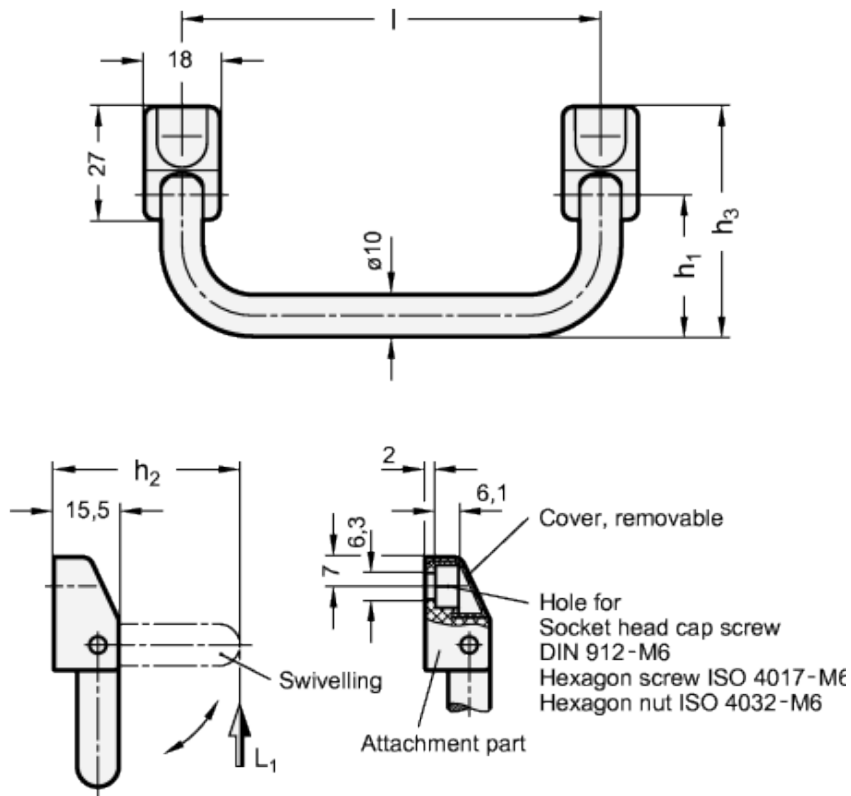


GN 425.5-NI

Folding handles



INOX
Stainless Steel



technical informations

Handle

AISI 304 stainless steel. Round cross section bar.

Attachment part

Polyamide based (PA) technopolymer, black, matte finish.

Temperature resistant up to 100 °C.

Cover

Polyamide based (PA) technopolymer, black-grey, matte finish.
Temperature resistant up to 100 °C.

Features and applications

Folding handles GN 425.5 are used in places where the handle must not protrude or produde only a short distance. The handle is locked in place in the resting position by means of a spring-loaded (cuo springs) thrust bolt. The static load capacity value given in the table is an approximate value which, if exceeded, may result in permanent deformation or fracture of the plastic attachment part. The folding handle GN 425.2 may be used as an alternative.

Standard Elements	Main dimensions				Static load in N	Weight
	Description	$l \pm 0.25$	h_1	h_2		h_3
GN 425.5-100-NI	100	34	44.5	55	500	111
GN 425.5-120-NI	120	34	44.5	55	500	120
GN 425.5-180-NI	180	34	44.5	55	500	160



STANDARD MACHINE ELEMENTS WORLDWIDE